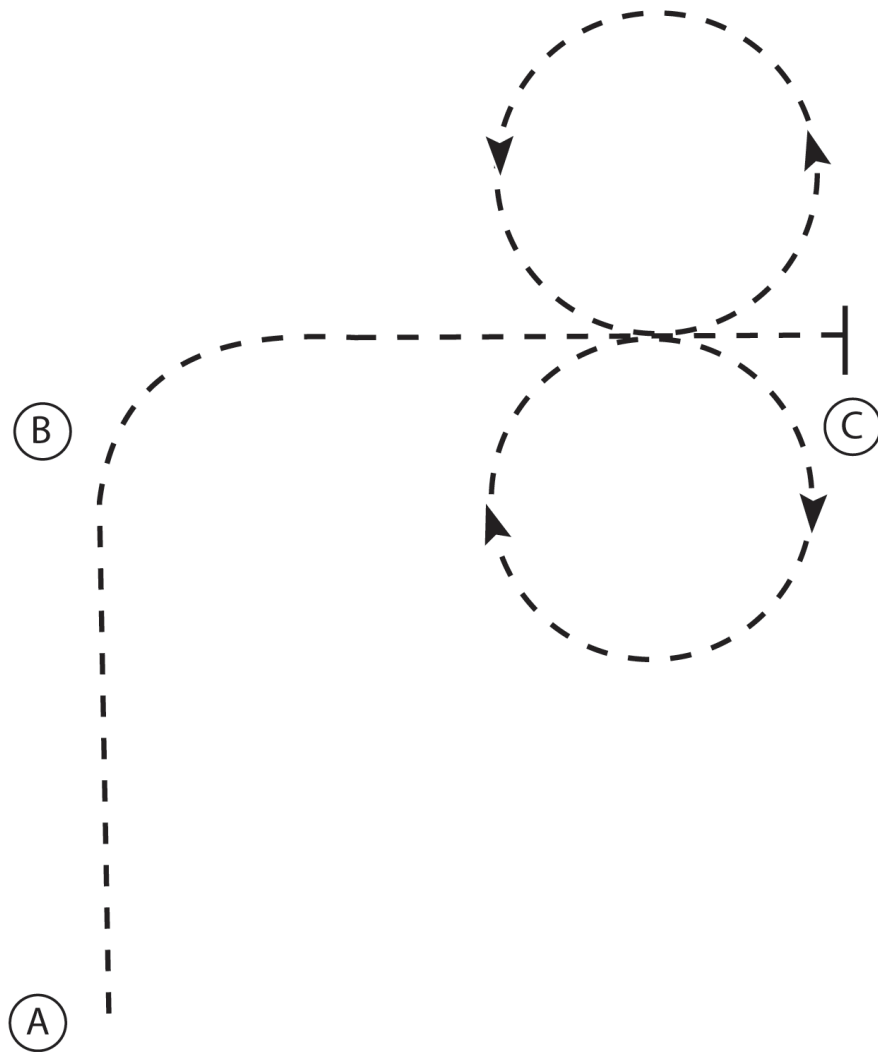


Iowa POAC - June 10, 2018

Hunt Seat Equitation (9 & Under, Novice W/T)

Show Date: 06-10-2018



1. Sitting trot A to B
2. At B posting trot towards C
3. Before C posting trot circle to the right followed by a posting trot circle to the left, continue to C
4. Stop at C

Walk
Trot	-----
Extended Trot	- - - - -
Canter	—————
Leg Yield	
Lead Change	↘
Back	←←←←←
Marker	(B)
Sidepass	←←←←←

[HSE/WT-7]

Pattern Provided by:

Iowa POAC

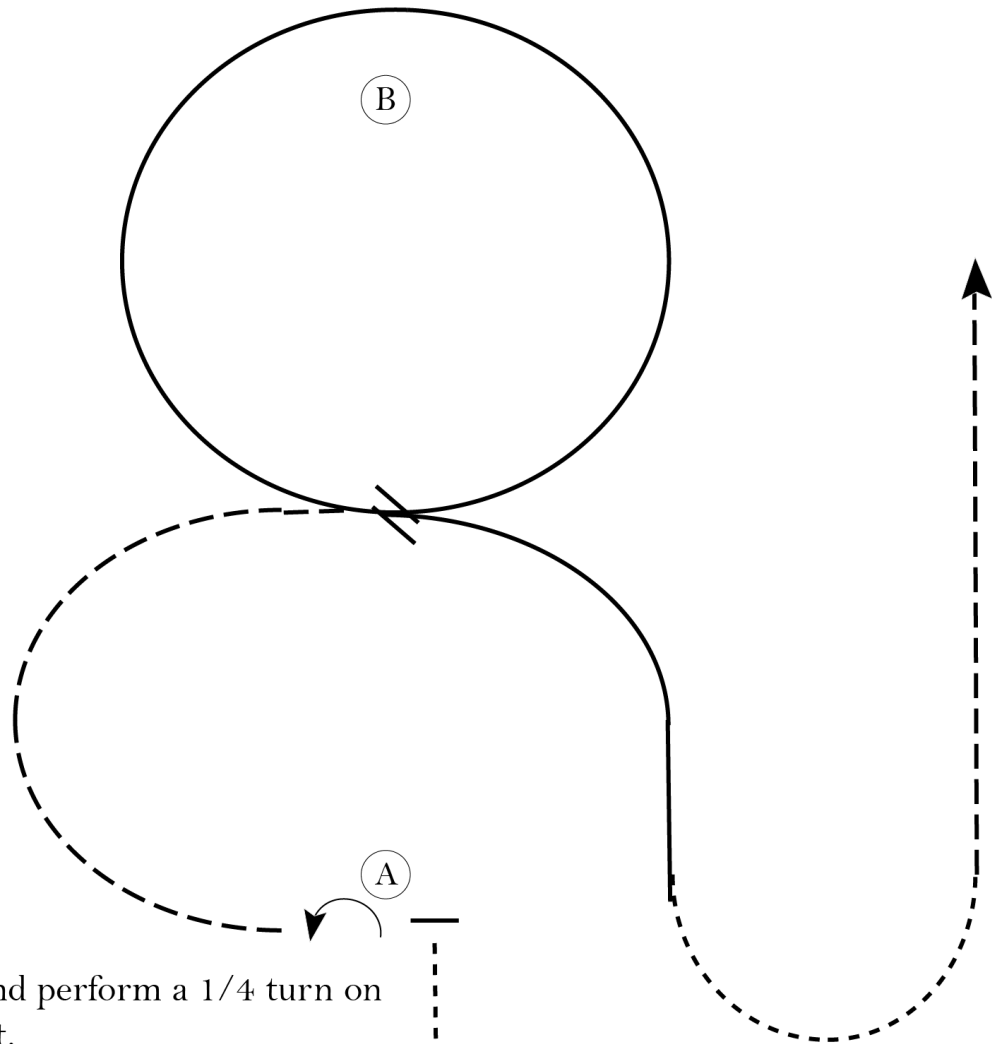
Iowa POAC - June 10, 2018

Hunt Seat Equitation (10-13, Novice W/T/C)

Show Date: 06-10-2018

w w w . H o r s e S h o w P a t t e r n s . c o m

w w w . H o r s e S h o w P a t t e r n s . c o m



Be ready before A.

1. Walk to A.
2. Stop before A and perform a 1/4 turn on the forehand left.
3. Posting trot on the left diagonal to center.
4. Canter a circle around B on the left lead.
5. Change leads in center and canter on the right lead until even with A.
6. Walk a half circle.
7. Posting trot on the right diagonal to exit.

Follow the instructions of your ring steward.

Walk	-----
Trot	- - - - -
Extended Trot	-----
Canter	-----
Leg Yield	
Lead Change	↙ ↘
Back	← ← ← ← ←
Marker	⊙
Sidepass	← ← ← ← ←
Hand Gallop	-----

[HSE/2-72]

Pattern Provided by:

Iowa POAC

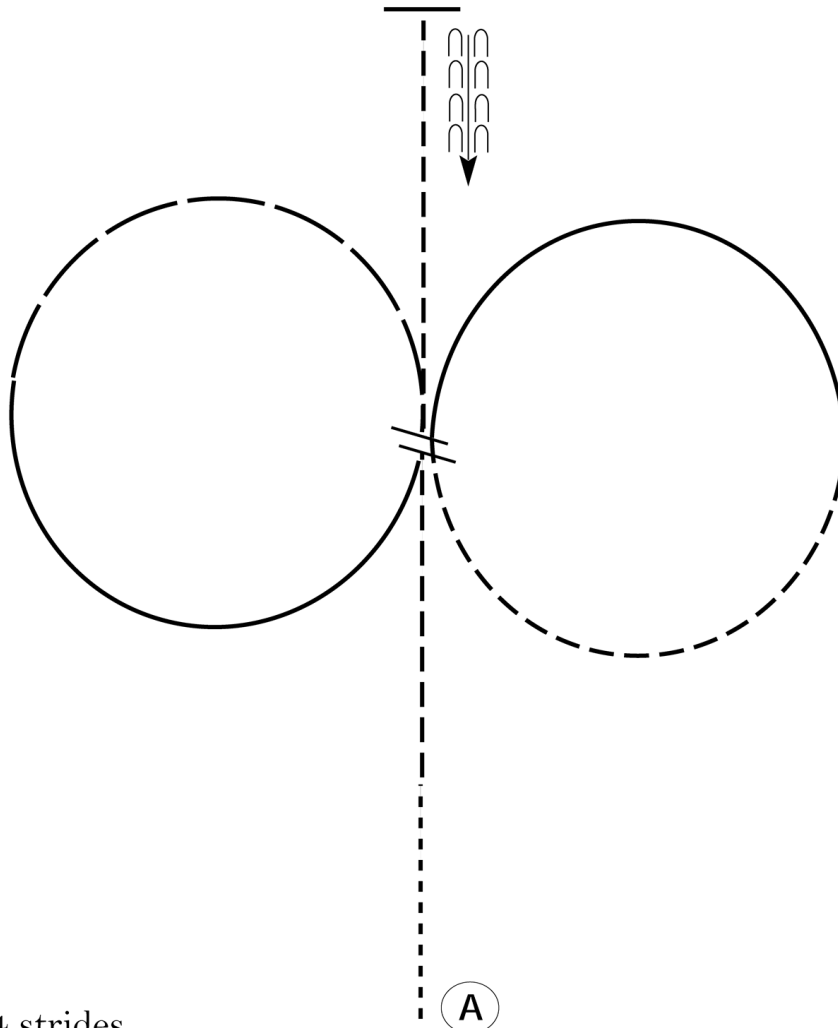
Iowa POAC - June 10, 2018

Hunt Seat Equitation (14-18, 19 & Over)

Show Date: 06-10-2018

w w w . H o r s e S h o w P a t t e r n s . c o m

w w w . H o r s e S h o w P a t t e r n s . c o m



Be ready at A.

1. Walk for 3-4 strides.
 2. Posting trot on the right diagonal for 6 strides.
 3. Hand gallop a half circle to the left.
 4. Collect the canter and close the circle.
 5. Change leads at the center.
 6. Canter a half circle to the right.
 7. Close the circle at a posting trot.
 8. When at the center, sitting trot in a straight line for 6-8 strides.
 9. Halt and back approximately one horse length.
- Follow the instructions of your ring steward.

Walk	-----
Trot	- - - - -
Extended Trot	— — — — —
Canter	—————
Leg Yield	
Lead Change	↘ ↙
Back	← ← ← ← ←
Marker	⊙ (B)
Sidepass	← — — — — →
Hand Gallop	— — — — —

[HSE/3-63]

Pattern Provided by:

Iowa POAC

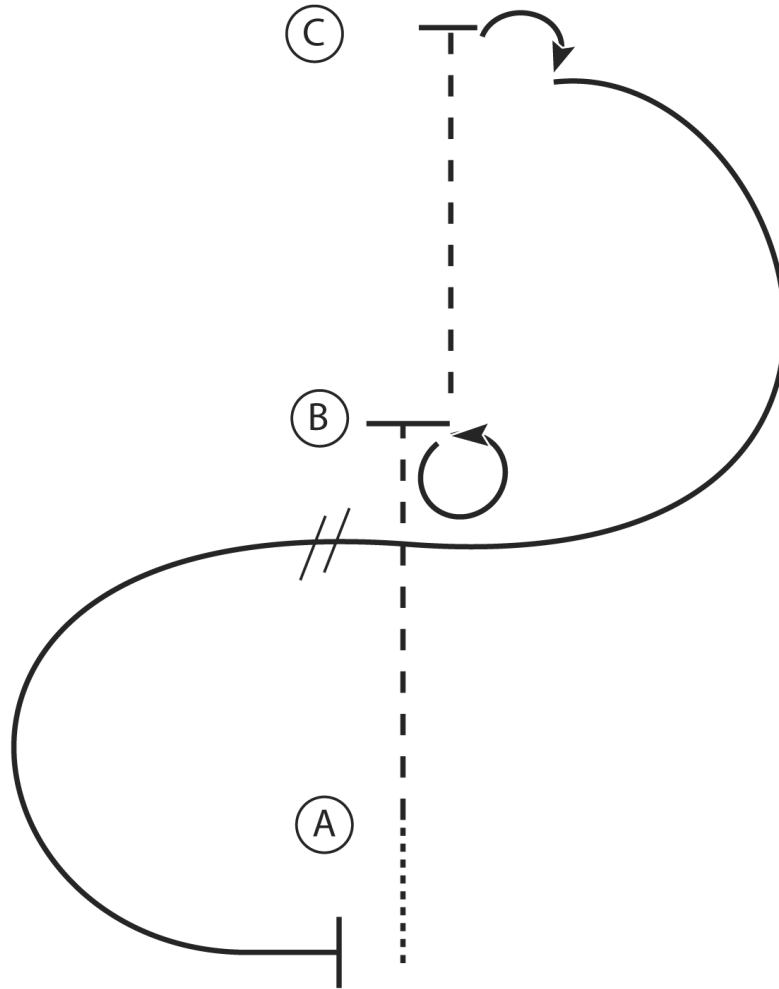
Iowa POAC - June 10, 2018

Bareback Horsemanship (10-13, 14-18)

Show Date: 06-10-2018

w w w . H o r s e S h o w P a t t e r n s . c o m

w w w . H o r s e S h o w P a t t e r n s . c o m



1. Walk to A
2. Jog A to B
3. Stop at B and perform a 360 degree turn to the left
4. Jog B to C
5. Stop at C and perform a 90 degree turn to the right
6. Lope a half circle to B on the right lead
7. At B perform a lead change and lope a half circle to A on the left lead
8. Stop at A

Walk
Jog	-----
Extended Jog	-----
Lope	—————
Leg Yield	
Lead Change	↘ ↙
Back	←←← ←←←
Marker	(B)
Sidepass	←←←

[WH/2-30]

Pattern Provided by:

Iowa POAC

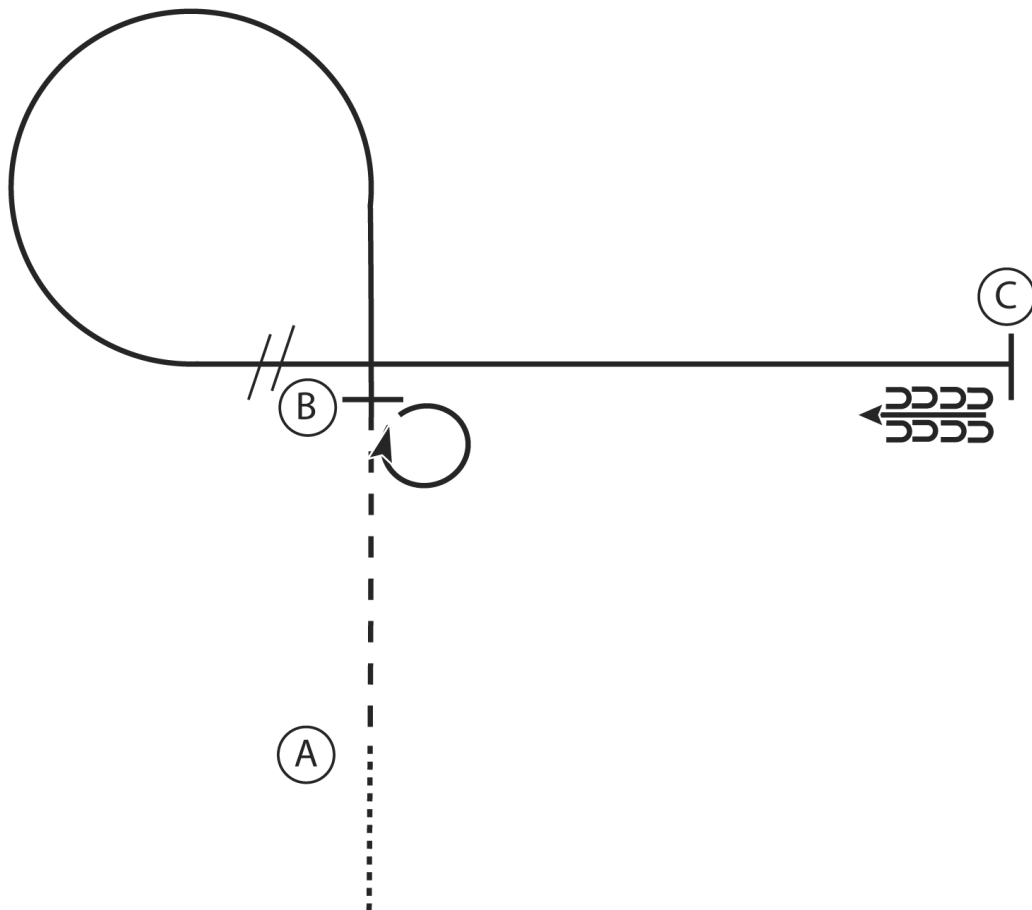
Iowa POAC - June 10, 2018

Western Horsemanship (10-13, Novice W/J/L)

Show Date: 06-10-2018

w w w . H o r s e S h o w P a t t e r n s . c o m

w w w . H o r s e S h o w P a t t e r n s . c o m



1. Walk to A
2. At A jog to B
3. Stop at B and perform a 360 degree turn to the right
4. Lope a circle to the left
5. At B perform a lead change and continue to C
6. At C stop and back 5 steps

Walk
Jog	-----
Extended Jog	-----
Lope	—————
Leg Yield	
Lead Change	↘
Back	←←←←←
Marker	(B)
Sidepass	←←←←←

[WH/2-10]

Pattern Provided by:
Iowa POAC

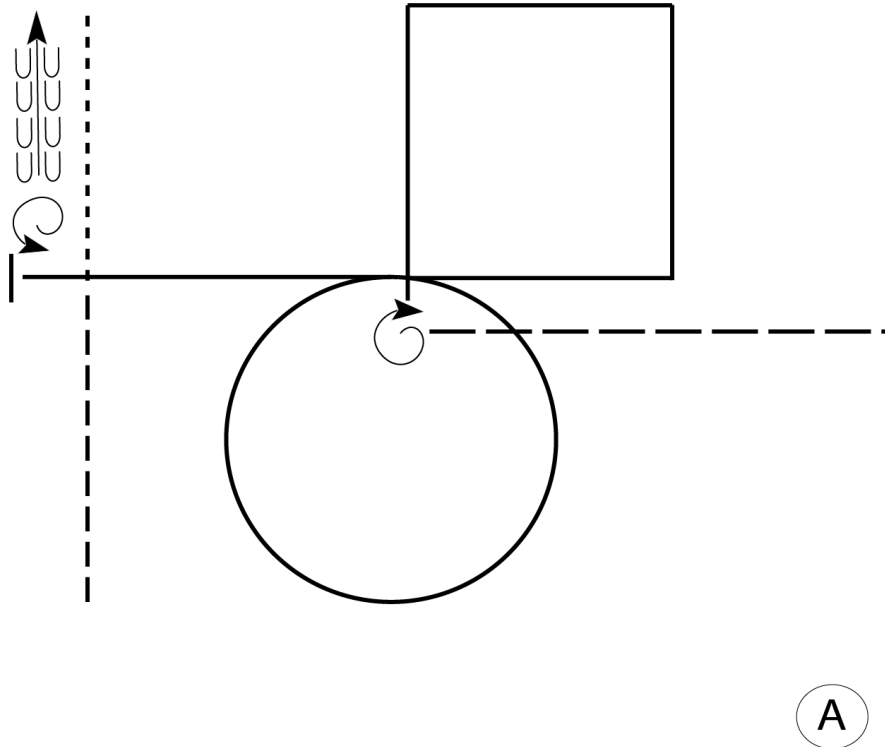
Iowa POAC - June 10, 2018

Western Horsemanship (14-18, 19 & Over)

Show Date: 06-10-2018

w w w . H o r s e S h o w P a t t e r n s . c o m

w w w . H o r s e S h o w P a t t e r n s . c o m



Be ready at A.

1. Perform an extended jog from A and a square corner toward center of pattern.
2. Stop in center and perform a 1 1/4 turn right.
3. Lope a right lead square.
4. Change leads at center and lope a left lead circle.
5. Close the circle and continue loping on the left lead in a straight line.
6. Stop and perform a 1 1/4 turn to the left.
7. Back 5 steps.
8. Walk until you cross your line.
9. Exit arena at a jog.

Walk
Jog	-----
Extended Jog	- - - - -
Lope	—————
Lead Change	———/———
Back	←———
Marker	ⓑ

[WH/3-104]

Pattern Provided by:

Iowa POAC

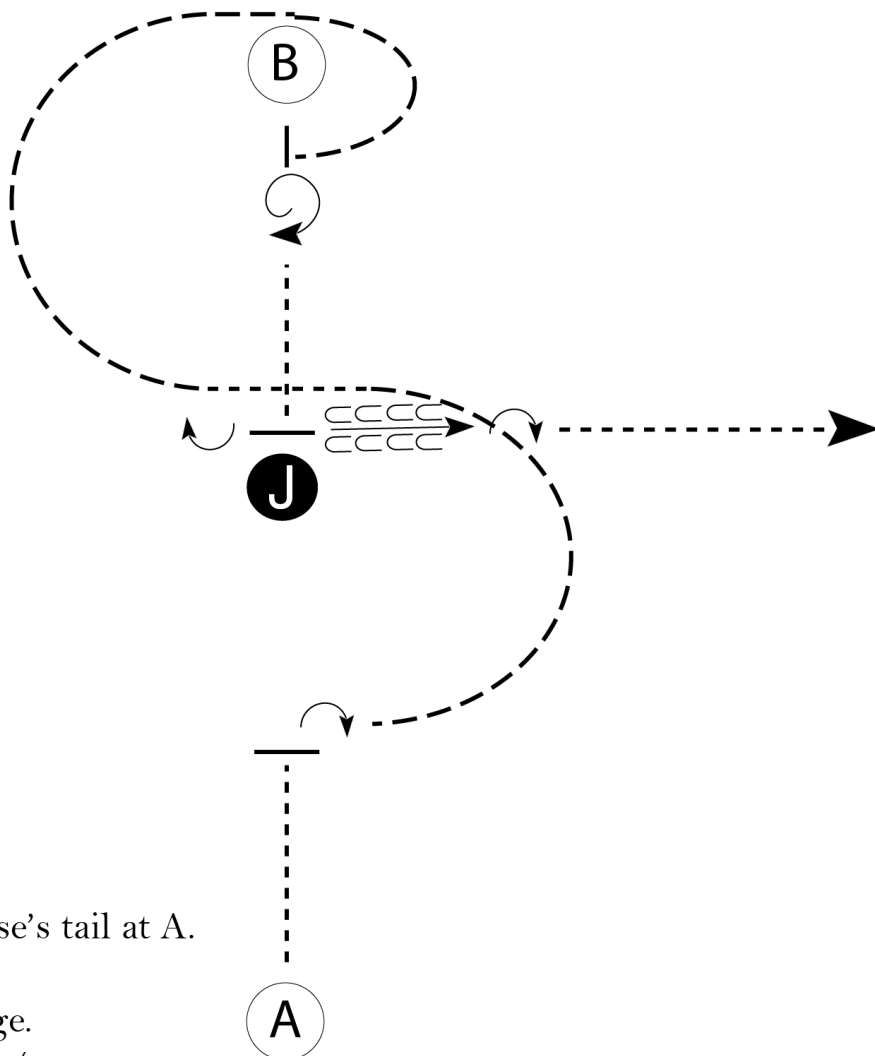
Iowa POAC - June 10, 2018

Showmanship (10-13, 14-18, 19 & Over)

Show Date: 06-10-2018

w w w . H o r s e S h o w P a t t e r n s . c o m

w w w . H o r s e S h o w P a t t e r n s . c o m



Be ready with your horse's tail at A.

1. Walk halfway to Judge.
2. Stop and perform a 1/4 turn.
3. Trot a half circle. Break to a walk before Judge and walk at least two horse lengths past Judge.
4. Trot a half circle to and around B as shown.
5. Stop and perform a 1 3/4 turn and walk to Judge.
6. Stop and set up for inspection.
7. When dismissed, perform a 1/4 turn.
8. Back approximately one horse length.
9. Perform a 1/2 turn and walk straight away to exit.

Walk	-----
Trot	- - - - -
Back	← ⊃ ⊃ ⊃ ⊃
Marker	Ⓟ
Judge	Ⓝ

Follow the instructions of your ring steward.

[S/3-66]

Pattern Provided by:

Iowa POAC