

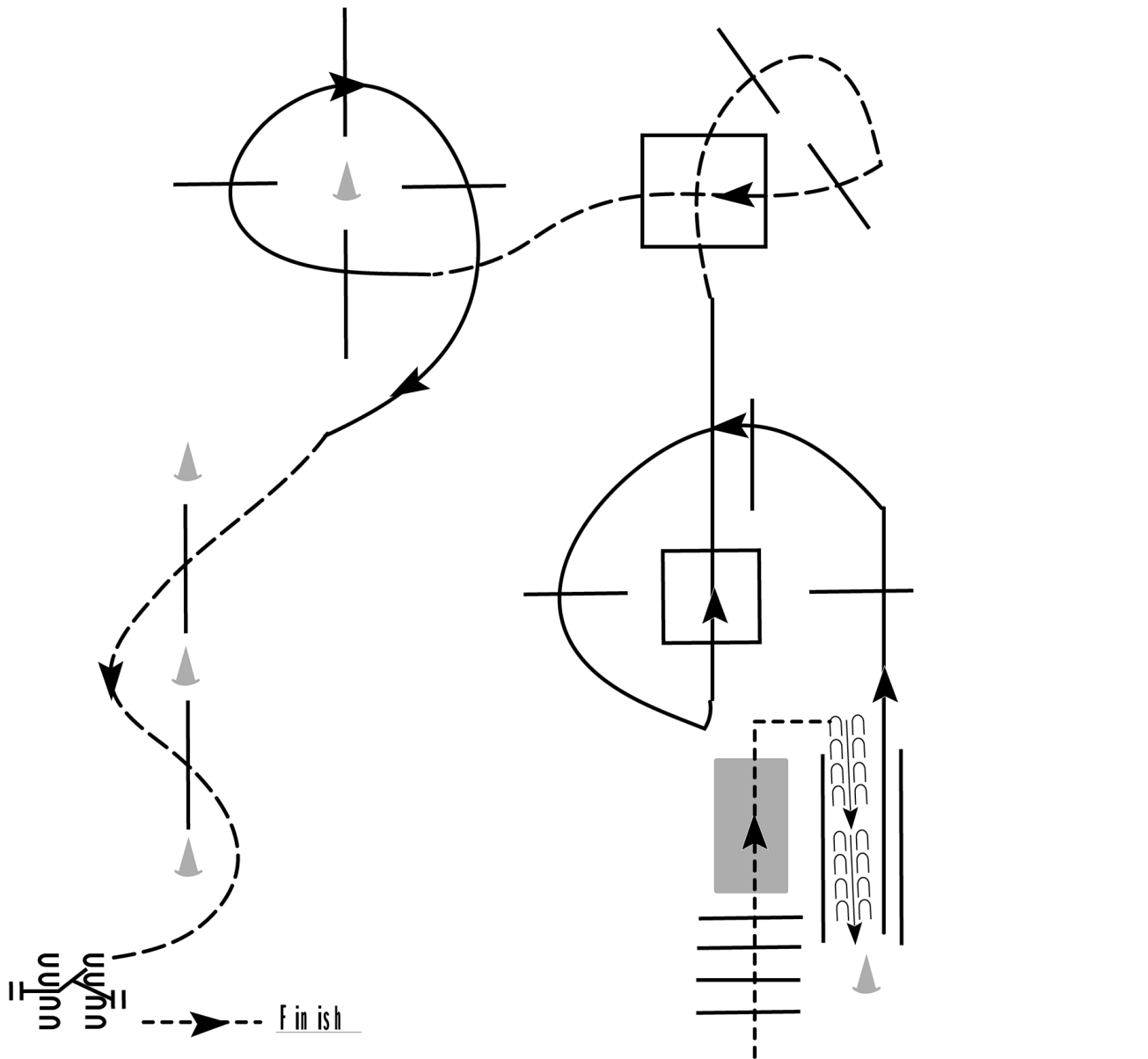
Iowa POAC Futurity

Trail (In hand, W/T classes trot instead of lope)

Show Date: 08-19-2018

www.HorseShowPatterns.com

www.HorseShowPatterns.com



1. Walk over poles and bridge.
2. Back into chute.
3. Lope out of chute and over poles and thru box on left lead.
4. Jog thru box and over poles as shown.
5. Lope over poles on right lead.
6. Jog thru serpentine and over poles to gate.
7. Work gate with left hand and walk to finish.

Start

| | |
|----------|-----------|
| Walk | ----- |
| Jog | - - - - - |
| Lope | ————— |
| Back | ←←←←← |
| Marker | ▲ |
| Sidepass | ←-----→ |

[T/2-43]

Pattern Provided by:

Iowa POAC

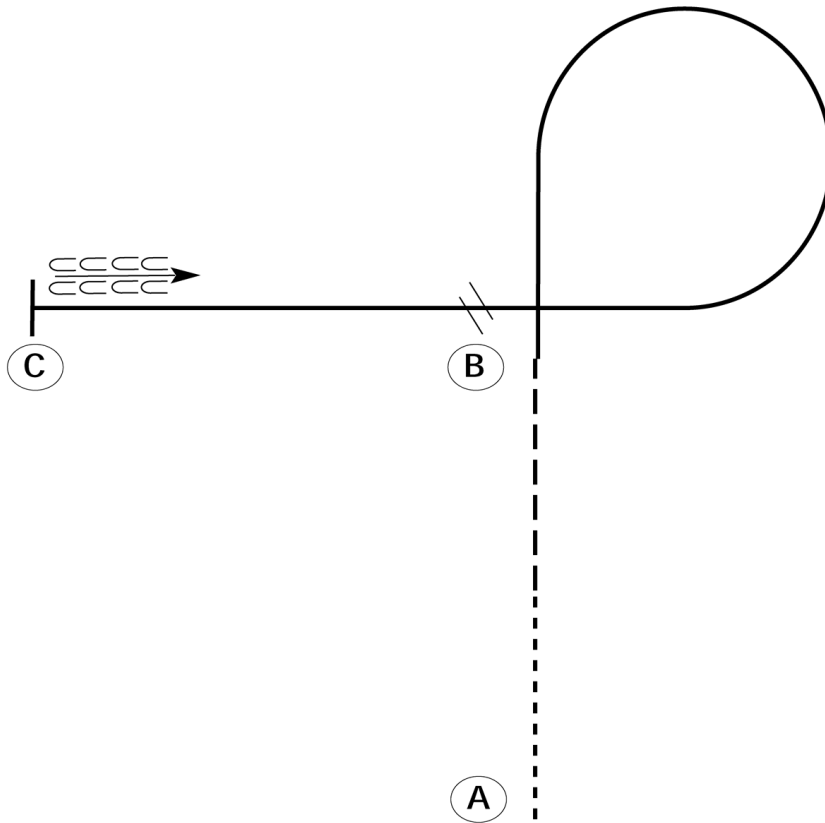
Iowa POAC Futurity

Horsemanship (10-13, Novice W/T/C)

Show Date: 08-19-2018

w w w . H o r s e S h o w P a t t e r n s . c o m

w w w . H o r s e S h o w P a t t e r n s . c o m



Be ready at A.

1. Walk from A 1/2 way to B.
2. Jog the rest of the way to B.
3. Lope a circle to the right.
4. Change leads at B.
5. Lope on the left lead to C.
6. Stop at C and back one horse length.

Retire to the rail or line up at a jog.

| | |
|---------------------|---------------|
| Walk | ----- |
| Jog | ----- |
| Extended Jog | ----- |
| Lope | ————— |
| Leg Yield | |
| Lead Change | — / — |
| Back | ← C C C C C C |
| Marker | (B) |
| Sidepass | ←-----→ |

[WH/2-25]

Pattern Provided by:
Iowa POAC

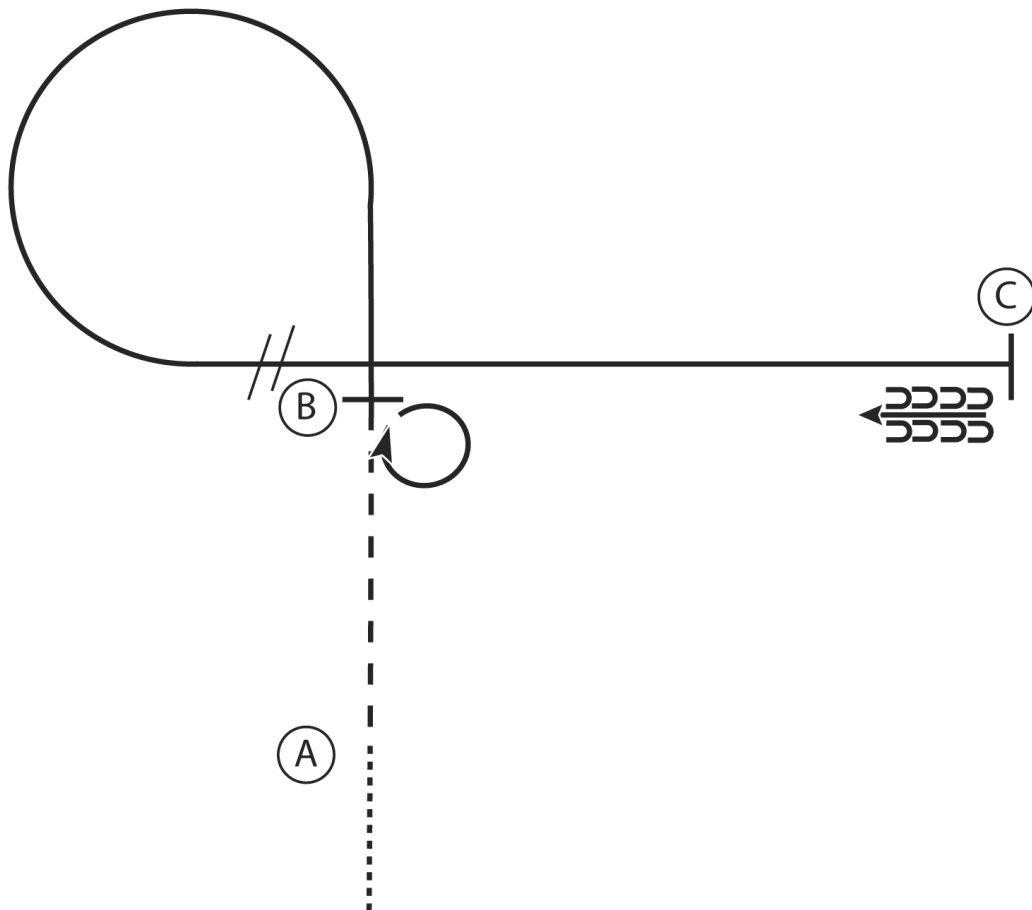
Iowa POAC Futurity

Horsemanship (19-O, 14-18)

Show Date: 08-19-2018

w w w . H o r s e S h o w P a t t e r n s . c o m

w w w . H o r s e S h o w P a t t e r n s . c o m



1. Walk to A
2. At A jog to B
3. Stop at B and perform a 360 degree turn to the right
4. Lope a circle to the left
5. At B perform a lead change and continue to C
6. At C stop and back 5 steps

| | |
|--------------|------------|
| Walk | |
| Jog | ----- |
| Extended Jog | ----- |
| Lope | ————— |
| Leg Yield | |
| Lead Change | ———/——— |
| Back | ←←← ←←← |
| Marker | (B) |
| Sidepass | ←---← |

[WH/2-10]

Pattern Provided by:
Iowa POAC

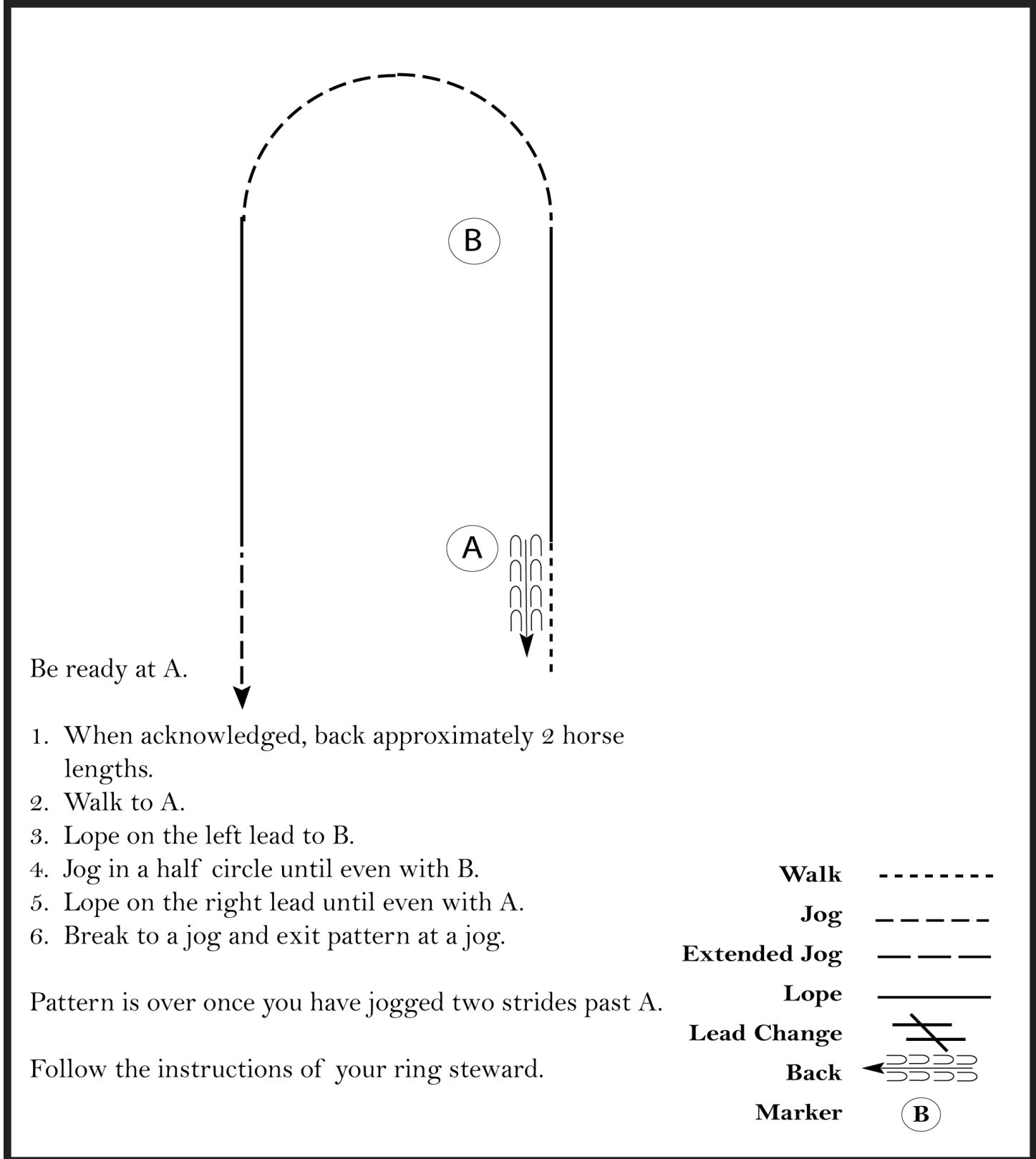
Iowa POAC Futurity

Bareback Horsemanship (14-18,10-13)

Show Date: 08-19-2018

w w w . H o r s e S h o w P a t t e r n s . c o m

w w w . H o r s e S h o w P a t t e r n s . c o m



Be ready at A.

1. When acknowledged, back approximately 2 horse lengths.
2. Walk to A.
3. Lope on the left lead to B.
4. Jog in a half circle until even with B.
5. Lope on the right lead until even with A.
6. Break to a jog and exit pattern at a jog.

Pattern is over once you have jogged two strides past A.

Follow the instructions of your ring steward.

- Walk -----
- Jog - - - - -
- Extended Jog - - - - -
- Lope | | | | |
- Lead Change / / / / /
- Back ← ← ← ← ←
- Marker (B)

[WH/2-83]

Pattern Provided by:
Iowa POAC

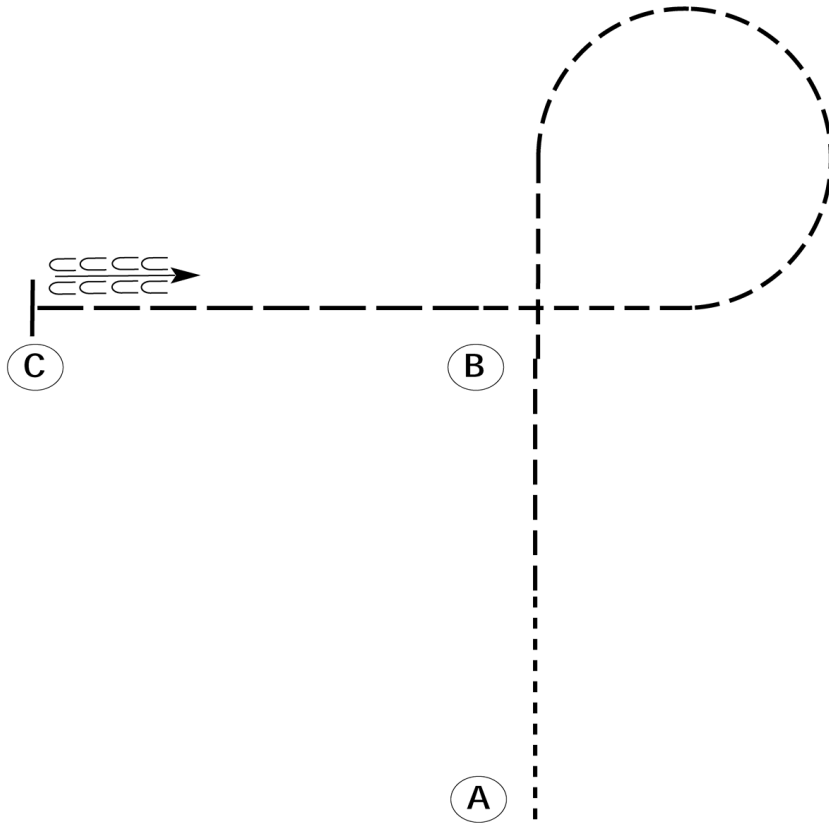
Iowa POAC Futurity

Horsemanship (9-U, Novice W/T, 19-O W/T)

Show Date: 08-19-2018

www.HorseShowPatterns.com

www.HorseShowPatterns.com



Be ready at A.

1. Walk from A 1/2 way to B.
2. Jog the rest of the way to B.
3. Jog a circle to the right.
4. Extend the jog from B to C.
5. Stop at C and back one horse length.

Retire to the rail or line up at a jog.

Walk

Jog

Extended Jog

Lope

Leg Yield

Lead Change

Back

Marker

Sidepass

[WH/WT-25]

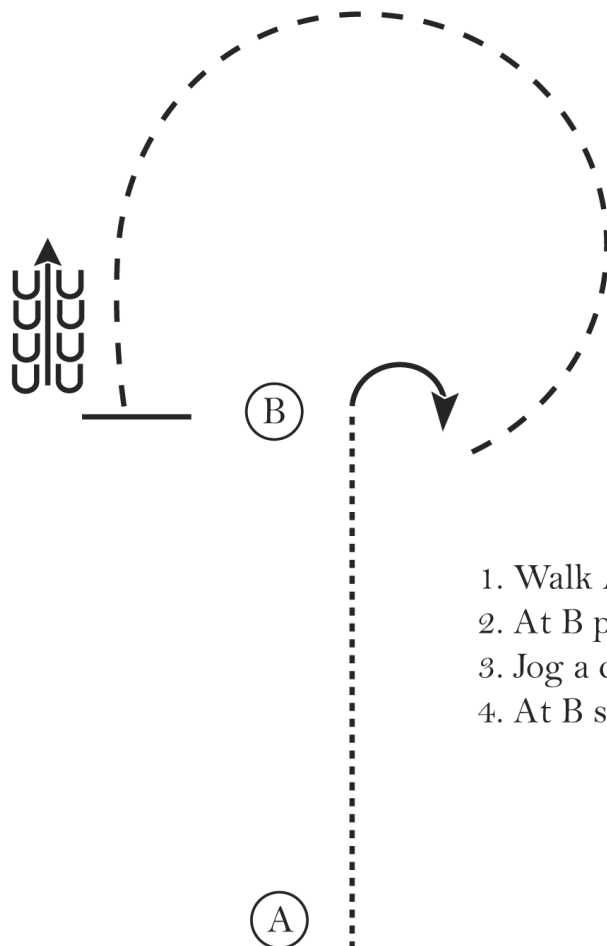
Pattern Provided by:

Iowa POAC

Iowa POAC Futurity

Bareback Horsemanship (9-U)

Show Date: 08-19-2018



1. Walk A to B
2. At B perform a 90 degree turn to the right
3. Jog a circle around B
4. At B stop and back 4 steps

| | |
|--------------|------------------|
| Walk | |
| Jog | ----- |
| Extended Jog | ----- |
| Lope | ————— |
| Leg Yield | |
| Lead Change | ↘ |
| Back | ← ← ← ← |
| Marker | (B) |
| Sidepass | ←-----← |

[WH/WT-7]

Pattern Provided by:

Iowa POAC