

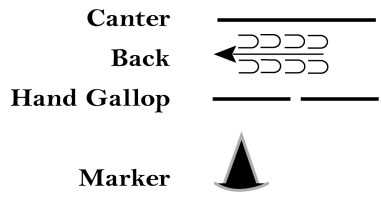
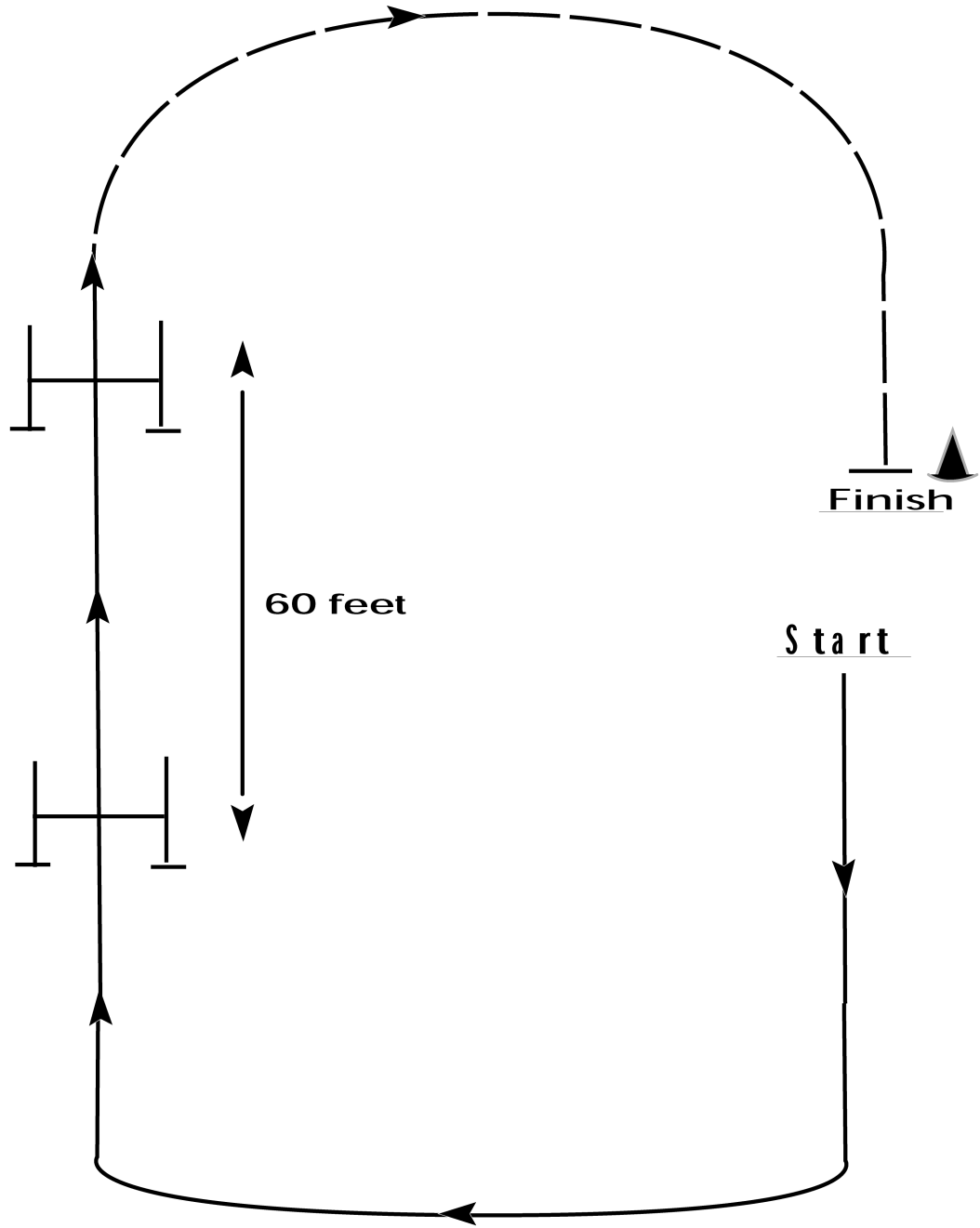
2019 Iowa POAC Futurity

Hunter Hack (14-18 & 13-U)

Show Date: 08-17-2019

www.HorseShowPatterns.com

www.HorseShowPatterns.com



1. Fences are set approximately 60 feet apart.
2. After 2nd fence, hand gallop to marker and stop.
3. Drop your reins to signify completion.

[HH/60-1]

Pattern Provided by:
IOWA POAC

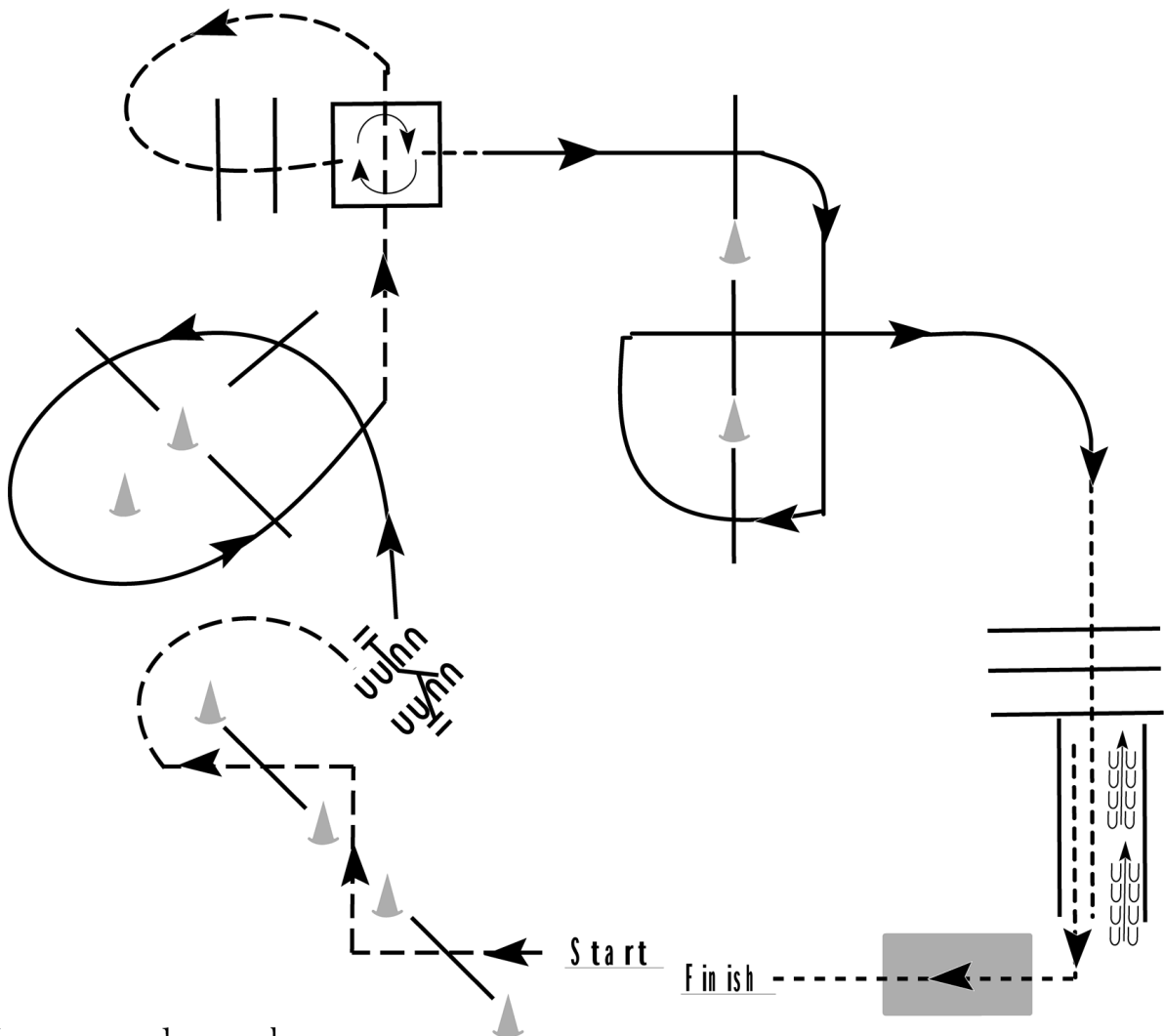
2019 Iowa POAC Futurity

Trail (In hand and W/T classes trot instead of lope)

Show Date: 08-17-2019

www.HorseShowPatterns.com

www.HorseShowPatterns.com



1. Jog over poles as shown.
2. Work gate with left hand.
3. Lope on left lead over poles.
4. Jog thru box, over poles and into box.
5. Turn 360 degrees to the right and walk out.
6. Lope on right lead over poles.
7. Walk over poles and into chute; back the chute.
8. Walk out of chute and over bridge to finish.

Walk	-----
Jog	- - - - -
Extended Jog	-----
Lope	=====
Leg Yield	
Lead Change	↘ ↙
Back	← ← ←
Marker	Ⓚ
Sidepass	← ← ←

[T/2-37]

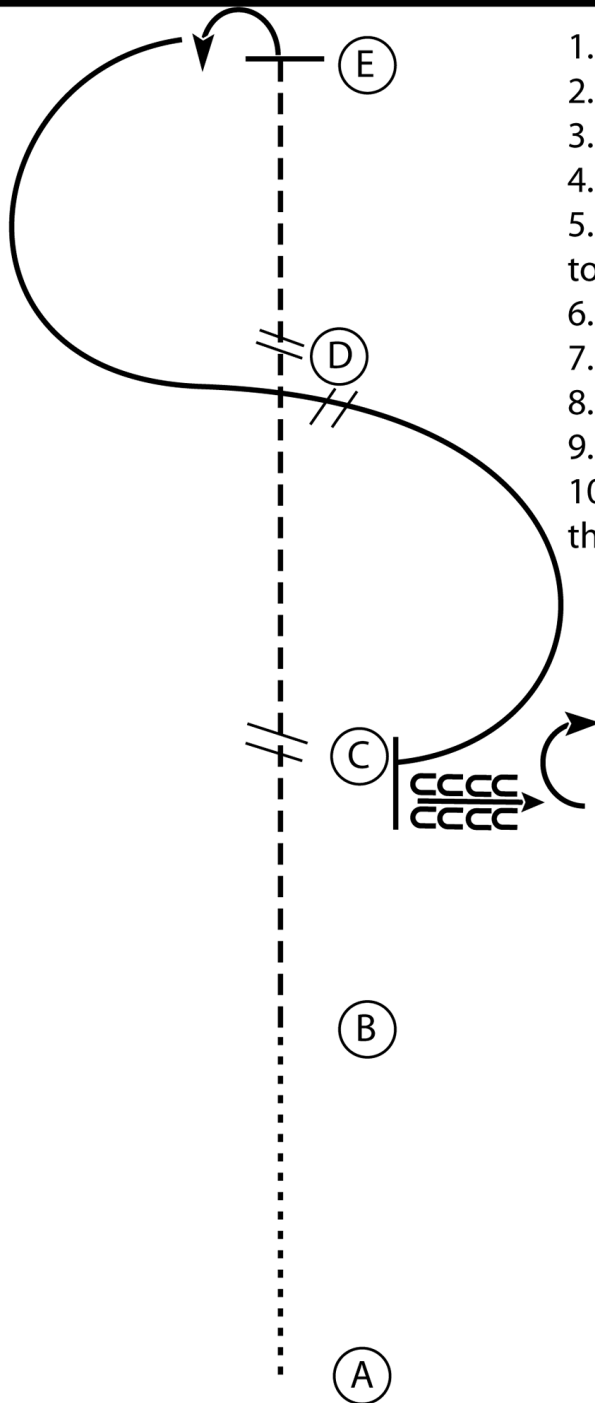
Pattern Provided by:

IOWA POAC

2019 Iowa POAC Futurity

Hunt Seat Equitation (19-O & 14-18)

Show Date: 08-17-2019



1. Walk A to B
2. Posting trot on the right diagonal B to C
3. Posting trot on the left diagonal C to D
4. Posting trot right diagonal D to E
5. Stop at E and perform a 90 degree turn to the left
6. Canter a half circle on the left lead to D
7. At D perform a lead change
8. Canter a half circle on the right lead to C
9. At C stop and back 4 steps
10. Perform a 90 degree turn to the right on the forehand

Walk
Trot	-----
Extended Trot	-----
Canter	—————
Leg Yield	
Lead Change	— / —
Back	← C C C C C C
Marker	(B)
Sidepass	← - - - - - →

[HSE/3-4]

Pattern Provided by:

IOWA POAC

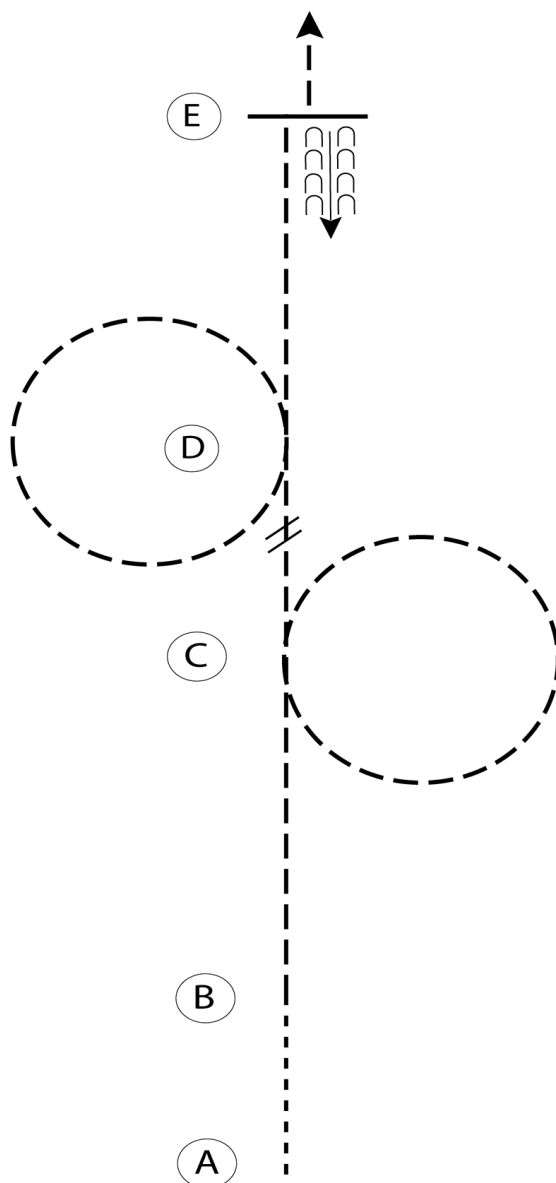
2019 Iowa POAC Futurity

Hunt Seat Equitation (9-U, Novice 18-U WT & 19-O WT)

Show Date: 08-17-2019

w w w . H o r s e S h o w P a t t e r n s . c o m

w w w . H o r s e S h o w P a t t e r n s . c o m



1. Walk from A to B
2. At B posting trot left diagonal
3. At C trot a circle to the right
4. Change diagonals between C and D
5. Trot a circle to the left around D
6. Trot to E, stop and back
7. Sitting trot to the exit

Walk	-----
Trot	- - - - -
Extended Trot	=====
Canter	—————
Leg Yield	
Lead Change	—/—
Back	←←←←←
Marker	(B)
Sidepass	←-----→
Hand Gallop	—————

[HSE/WT-11]

Pattern Provided by:

IOWA POAC

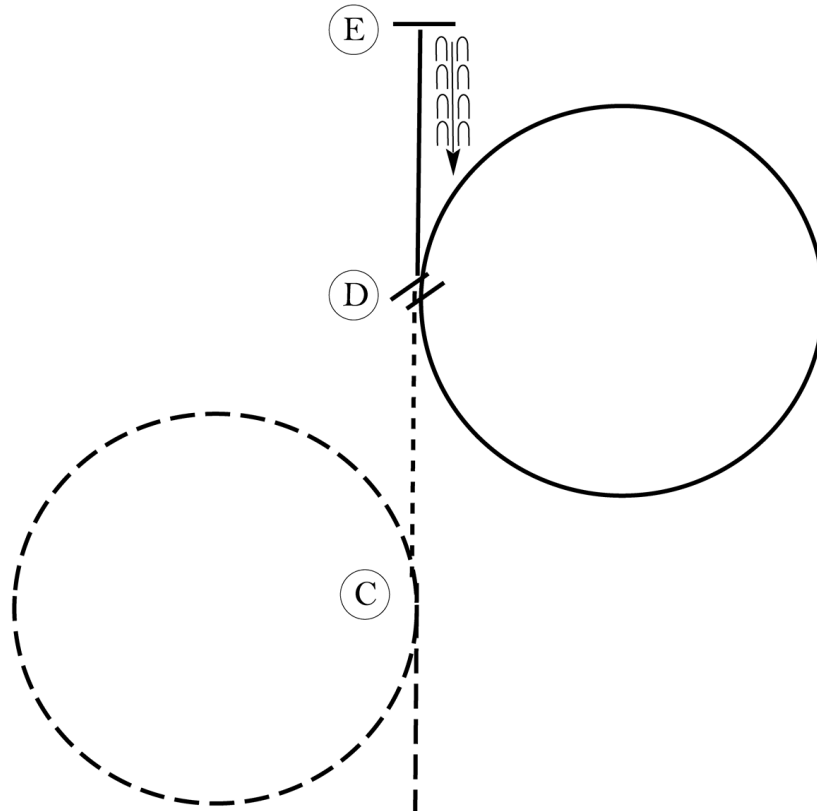
2019 Iowa POAC Futurity

Hunt Seat Equitation (10-13 & Novice 18-U WTC)

Show Date: 08-17-2019

www.HorseShowPatterns.com

www.HorseShowPatterns.com



Be ready at A.

1. Sitting trot to B.
2. Posting trot on the left diagonal to C. (B)
3. Change diagonals and circle to the left at C.
4. Walk from C to D.
5. Canter a circle to the right at D.
6. Change leads at D and canter to E.
7. Stop at E and back approximately one horse length.

Exit at a trot.

Follow the instructions of your ring steward.

Walk	-----
Trot	- - - - -
Extended Trot	— — — — —
Canter	—————
Leg Yield	
Lead Change	— / —
Back	← ← ← ← ←
Marker	(B)
Sidepass	← — — — — →
Hand Gallop	— — — — —

[HSE/2-39]

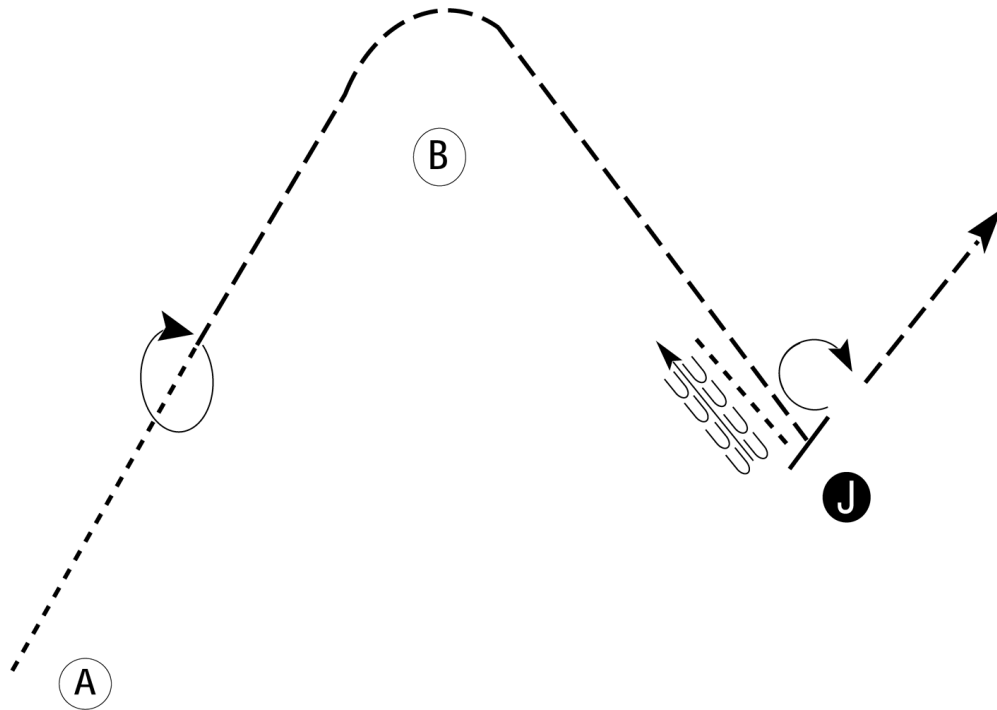
Pattern Provided by:

IOWA POAC

2019 Iowa POAC Futurity

Showmanship (19-O, 14-18 & 10-13)

Show Date: 08-17-2019



Be ready at A.

1. Walk halfway to B.
2. Stop and perform a 360 degree turn.
3. Trot around B to the Judge.
4. Stop and back approximately one horse length.
5. Walk to the Judge, stop and set up for inspection.
6. When dismissed, perform a 270 degree turn and trot straight away from the Judge.

Follow the instructions of your ring steward.

Walk	-----
Trot	- - - - -
Back	←
Marker	ⓑ
Judge	ⓙ

[S/3-34]

Pattern Provided by:

IOWA POAC

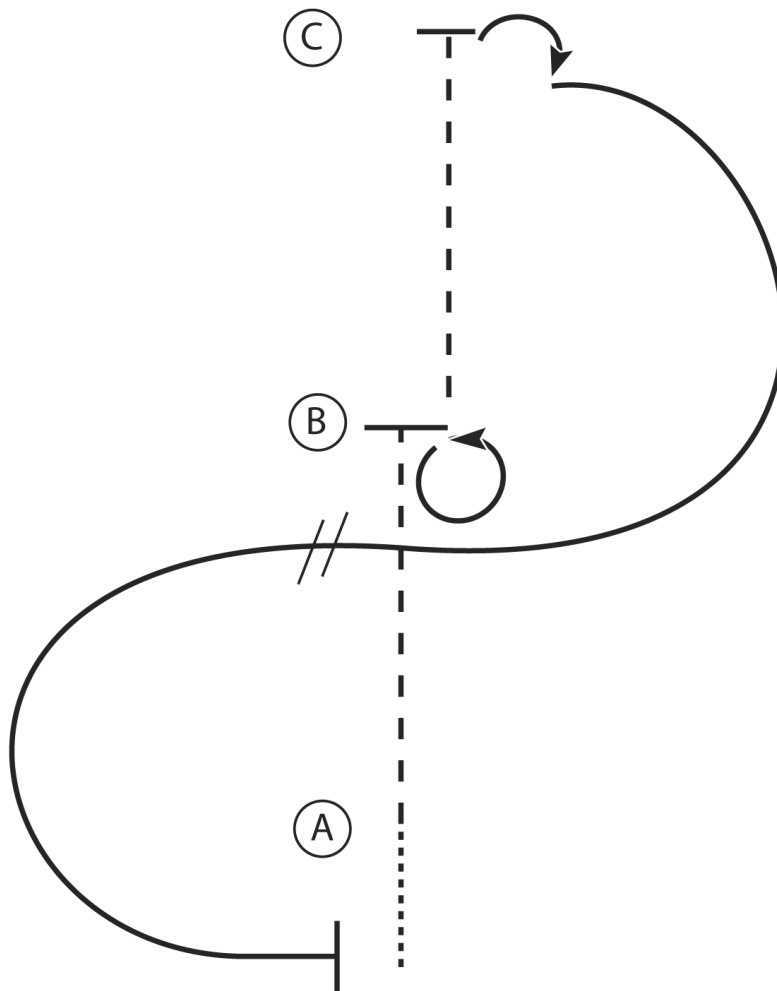
2019 Iowa POAC Futurity

Western Horsemanship (19-O, 14-18, 10-13 & Novice 18-U WTL)

Show Date: 08-17-2019

www.HorseShowPatterns.com

www.HorseShowPatterns.com



1. Walk to A
2. Jog A to B
3. Stop at B and perform a 360 degree turn to the left
4. Jog B to C
5. Stop at C and perform a 90 degree turn to the right
6. Lope a half circle to B on the right lead
7. At B perform a lead change and lope a half circle to A on the left lead
8. Stop at A

Walk
Jog	-----
Extended Jog	-----
Lope	—————
Leg Yield	
Lead Change	↘ ↙
Back	←←← ←←←
Marker	(B)
Sidepass	←-----←

[WH/2-30]

Pattern Provided by:

IOWA POAC

2019 Iowa POAC Futurity

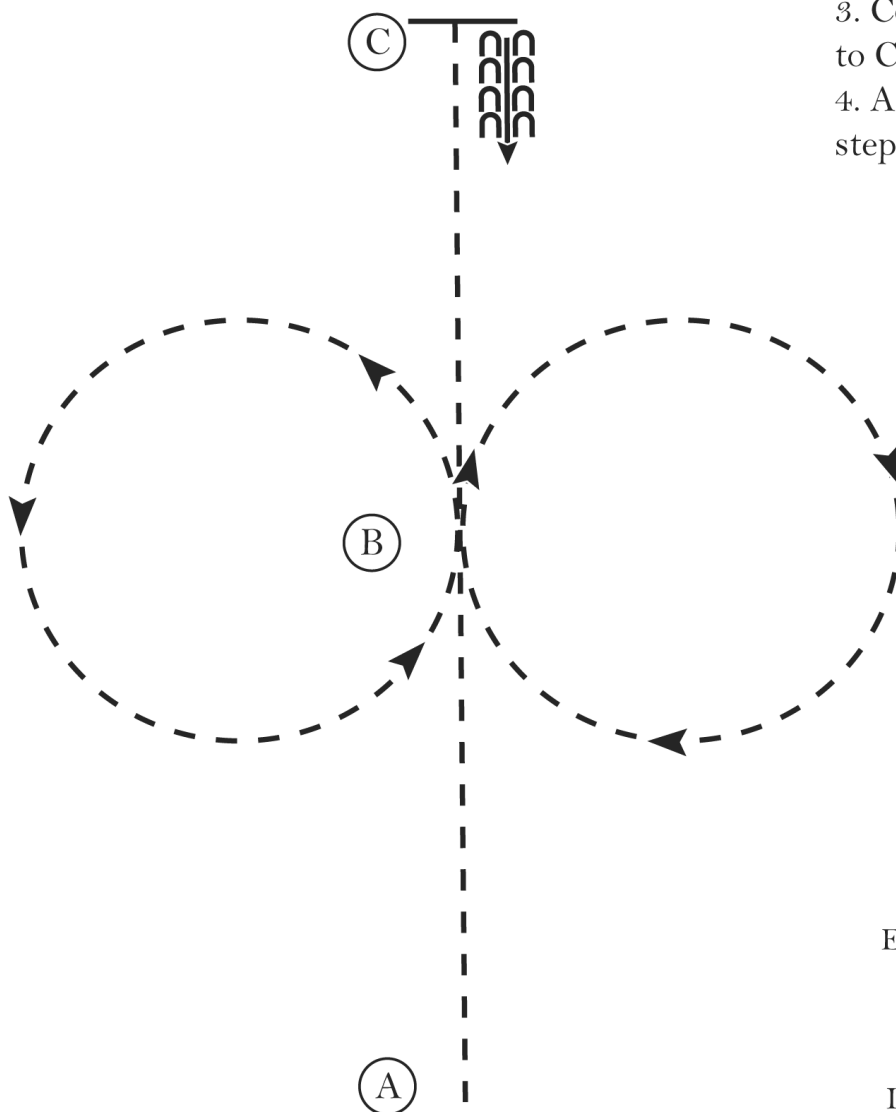
Western Horsemanship (9-U, Novice 18-U WT, 19-U WT)

Show Date: 08-17-2019

w w w . H o r s e S h o w P a t t e r n s . c o m

w w w . H o r s e S h o w P a t t e r n s . c o m

1. Jog A to B
2. At B perform a figure eight, beginning to the right
3. Continue the jog from B to C
4. At C stop and back 4 steps



Walk
Jog	- - - - -
Extended Jog	- - - - -
Lope	—————
Leg Yield	
Lead Change	— / —
Back	←←←←← ←←←←←
Marker	(B)
Sidepass	← - - - - ←

[WH/WT-5]

Pattern Provided by:

IOWA POAC

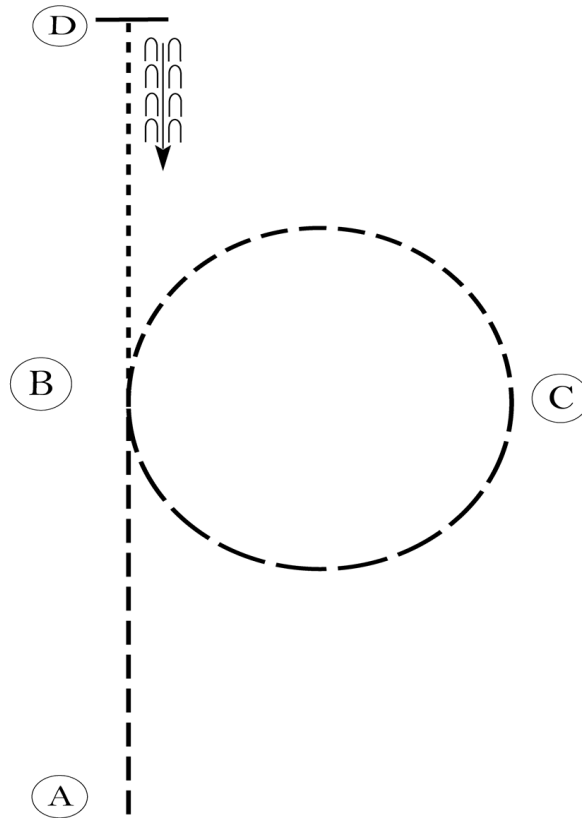
2019 Iowa POAC Futurity

Bareback Horsemanship (9-U WT)

Show Date: 08-17-2019

w w w . H o r s e S h o w P a t t e r n s . c o m

w w w . H o r s e S h o w P a t t e r n s . c o m



Be ready at A.

1. Jog to B.
2. Continue the jog in a half circle to C.
3. Extend the jog from C to B.
4. Walk from B to D.
5. Stop at D and back approximately one horse length.

Follow the instructions of your ring steward.

Walk	-----
Jog	- - - - -
Extended Jog	— — — —
Lope	—————
Leg Yield	
Lead Change	— / —
Back	← ← ← ← ←
Marker	(B)
Sidepass	← — — — — →

[WH/WT-39]

Pattern Provided by:

IOWA POAC

2019 Iowa POAC Futurity

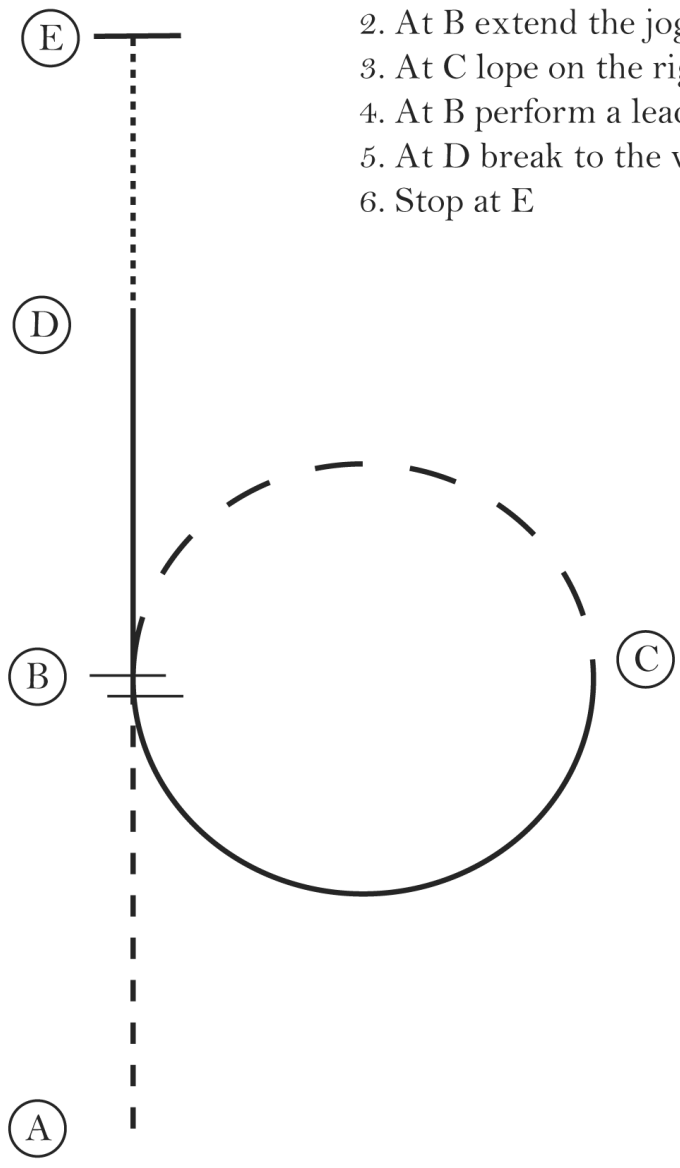
Bareback Horsemanship (14-18 & 10-13)

Show Date: 08-17-2019

w w w . H o r s e S h o w P a t t e r n s . c o m

w w w . H o r s e S h o w P a t t e r n s . c o m

1. Walk A to B
2. At B extend the jog to C
3. At C lope on the right lead to B
4. At B perform a lead change and continue to D
5. At D break to the walk
6. Stop at E



Walk
Jog	-----
Extended Jog	-----
Lope	—————
Leg Yield	
Lead Change	↘
Back	←←←←←
Marker	(B)
Sidepass	←←←←←

[WH/1-38]

Pattern Provided by:
IOWA POAC